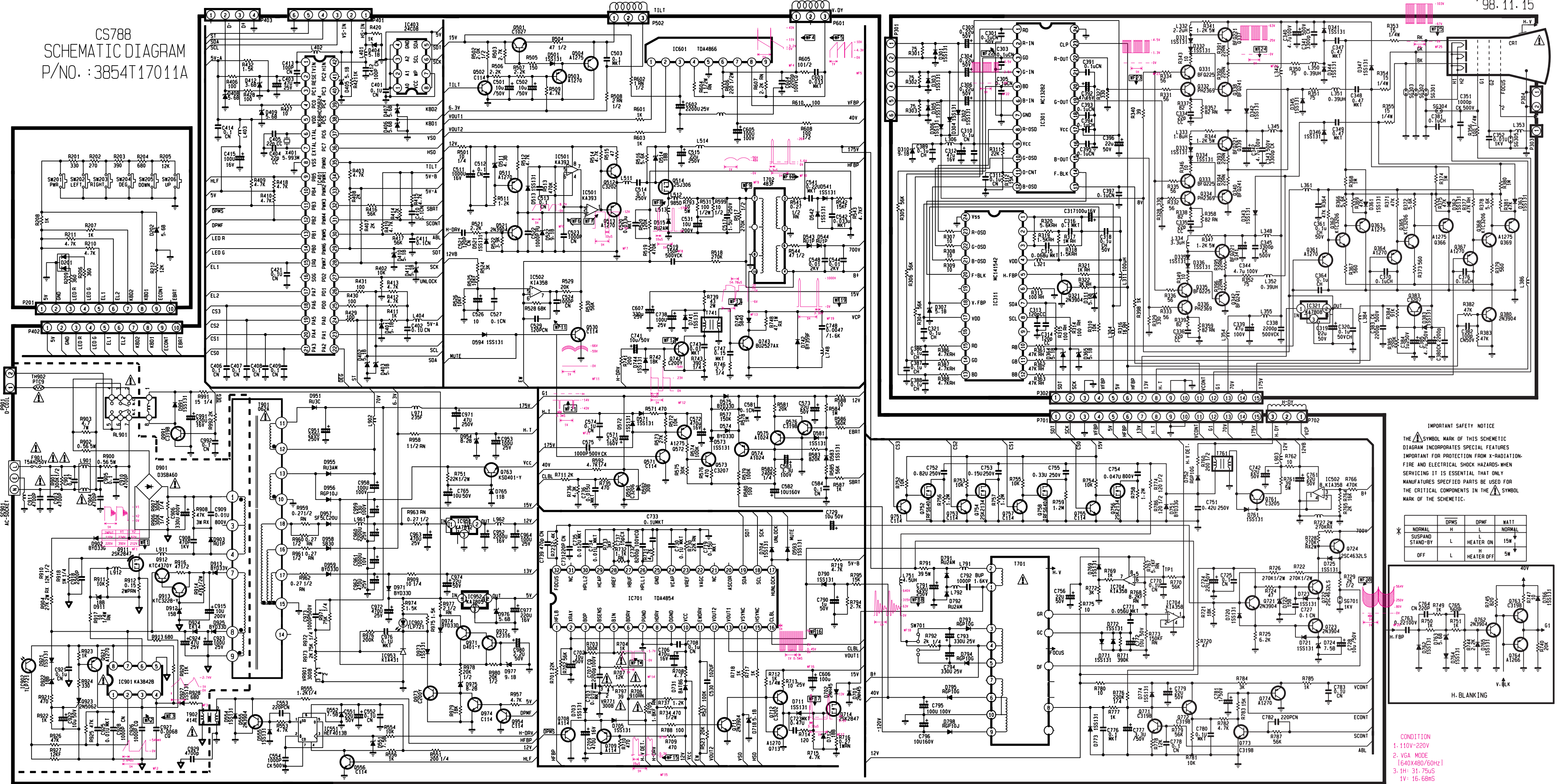




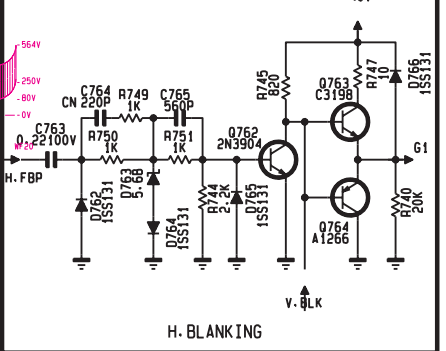
CS788 SCHEMATIC DIAGRAM P/NO. : 3854T17011A



IMPORTANT SAFETY NOTICE

THE  SYMBOL MARK OF THIS SCHEMATIC DIAGRAM INCORPORATES SPECIAL FEATURES IMPORTANT FOR PROTECTION FROM X-RADIATION-FIRE AND ELECTRICAL SHOCK HAZARDS-WHEN SERVICING IT IS ESSENTIAL THAT ONLY MANUFACTURERS SPECIFIED PARTS BE USED FOR THE CRITICAL COMPONENTS IN THE  SYMBOL MARK OF THE SCHEMATIC.

	DPMS	DPMF	WATT
* NORMAL	H	L	NORMAL
SUSPEND	H	L	HEATER ON 15W
STAND-BY	L	H	HEATER OFF 5W
OFF	L	L	HEATER OFF 5W



CONDITION

- 1: 110V-220V
- 2: VGA MODE [640X480/60HZ]
- 3: 1H: 31.75us
- 1V: 16.6mS